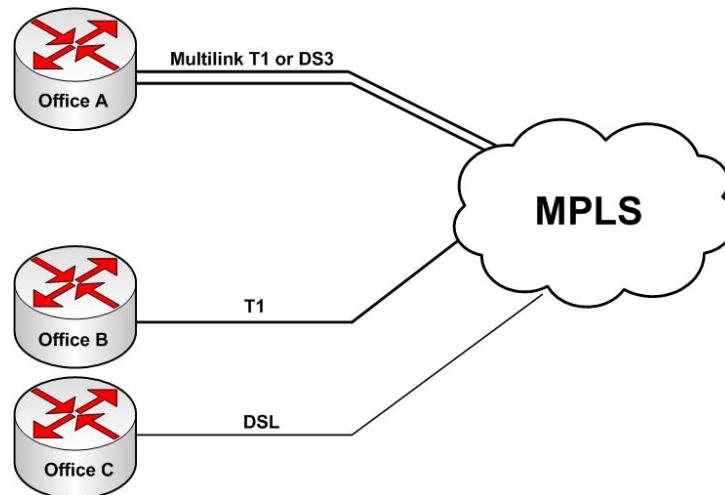


O¹ Private Network MPLS

Security, Scalability, and Reliability

O1's Multi Protocol Label Switching (MPLS) based network allows businesses to build fully-meshed, secure networks for their organization quickly and easily without configuring tunnels, PVCs, or recurring paths. Businesses can add additional sites or equipment and the new information is automatically distributed throughout the network. Using a variety of access options from DSL, T1 or DS3, businesses can privately connect to remote branches. MPLS uses secure Layer 2 separation and Layer 3 routing that provides security equivalent to point-to-point, ATM, and Frame Relay networks at a fraction of the cost.

O1's MPLS solution also offers Quality of Service (QoS) commitments for Voice over Internet Protocol (VoIP) and video conferencing applications. O1's QoS services allow businesses to prioritize applications across the network, giving mission critical and time sensitive traffic the highest priority.



Features

- O1 Managed Routers with Network Monitoring
- Five Classes of Service (CoS)
- Any-to-any network connectivity
- Supports a variety of routing protocols to be used within one network
- Supports multiple access technologies for added savings
- Industry-leading SLAs
- No public Internet/tunneling required
- Can be applied to any O1 dynamic voice and data service

Benefits

- Fully meshed network to all sites
- Just-in-time migration planning
- Complete network redundancy from headquarters to remote sites
- QoS commitments to prioritize time sensitive applications
- Quickly scale expanding networks using DS3, T-1 or DSL connectivity
- Use existing private IP address and migrate to the MPLS network
- Utilize the O1 Class A data center for business continuity
- 24 x 7 Dedicated Support